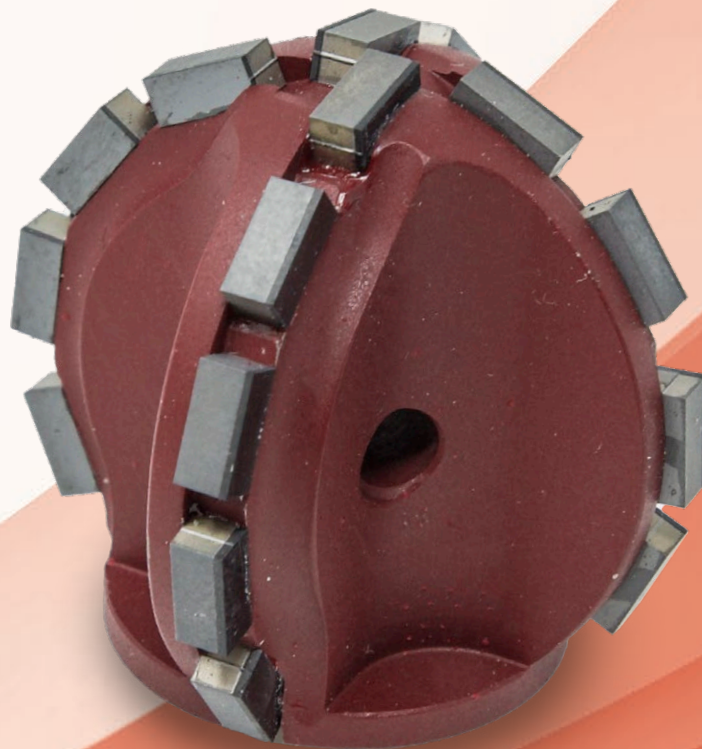


**IMS**  
ROBOTICS



# Best **TOOLS** for **CUTTERS**



■ MADE  
■ IN  
■ GERMANY

For your Sewer Rehab Robots:  
**IMS MICRO/DRIVE/MICRO S/MIDI 4** small motor/  
**DRIVEplus** small motor

**EN**

# THREAD

## IMS MICRO/DRIVE/MICRO S/MIDI 4 small motor/DRIVEplus small motor

Milling tools suitable for **CIPP, PVC** and **ROOTS**



### Diamond halfglobe milling tool

Field of application: Opening of laterals and inlet lines

Ø mm	Height mm	Segments	IMS-No.	Code-No.
40	29	12	015 01 126	21 49 40 174

**Kardiam-BLACK-POWERLINE®** Not for steel-reinforced concrete!



### Diamond globe milling tool - transparent -

Field of application: Opening of laterals and inlet lines

Ø mm	Height mm	Segments	IMS-No.	Code-No.
42	40	18	015 01 134	21 49 40 126

**Kardiam-BLACK-POWERLINE®** Not for steel-reinforced concrete!



### Diamond globe milling tool - transparent -

Field of application: Opening of laterals and inlet lines

Ø mm	Height mm	Segments	IMS-No.	Code-No.
50	50	30	015 01 613	21 49 40 228

\* only for IMS DRIVE, DRIVEplus + MIDI 4

**Kardiam-BLACK-POWERLINE®** Not for steel-reinforced concrete!



### Diamond globe milling tool - transparent -

Field of application: Opening of laterals and inlet lines

Ø mm	Height mm	Segments	IMS-No.	Code-No.
56*	43	22 - 4 wings	015 01 139	21 49 40 130

\* only for IMS DRIVE, DRIVEplus + MIDI 4

**Kardiam-BLACK-POWERLINE®** Not for steel-reinforced concrete!



### Diamond globe milling tool - transparent -

Field of application: Opening of laterals and inlet lines

Ø mm	Height mm	Segments	IMS-No.	Code-No.
56*	43	33 - 6 wings	015 01 142	21 49 40 131

\* only for IMS DRIVE, DRIVEplus + MIDI 4

**Kardiam-BLACK-POWERLINE®** Not for steel-reinforced concrete!



### Diamond globe milling tool - long shaft -

Field of application: Opening of laterals and inlet lines

Ø mm	Height mm	Segments	IMS-No.	Code-No.
30	50	14	015 01 162	21 49 40 147

**Kardiam-BLACK-POWERLINE®** Not for steel-reinforced concrete!



### Diamant Kegelräser

Einsatzgebiet: Öffnen von Hausanschlüssen und Einläufen

Ø mm	Höhe mm	Segmente	IMS-Nr.	Art.-Nr.
30/10	30	10	015 01 165	21 49 40 198

**Kardiam-BLACK-POWERLINE®** Nicht geeignet für armierten Beton!



### Diamond double-cone milling tool- transparent -

Field of application: Opening of laterals and inlet lines

Ø mm	Height mm	Segments	IMS-No.	Code-No.
36	45	16	015 01 614	21 49 40 229

**Kardiam-BLACK-POWERLINE®** Not for steel-reinforced concrete!



### Diamond inflow pipe milling tool

Field of application: Opening of laterals and inlet lines

Ø mm	Height mm	Segments	IMS-No.	Code-No.
50	44	28	015 01 131	21 49 40 122

**Kardiam-BLACK-POWERLINE®** Not for steel-reinforced concrete!



### Diamond milling crown

Field of application: Opening of laterals and inlet lines

Ø mm	Height mm	Segments	IMS-No.	Code-No.
40	29	15	015 01 169	21 49 40 213

**Kardiam-BLACK-POWERLINE®** Not for steel-reinforced concrete!



### Carbide halfglobe milling tool

Field of application: Opening of laterals and inlet lines

Ø mm	Height mm	Granulate	IMS-No.	Code-No.
40	29	1,2 - 1,8	015 01 128	21 45 00 158



### Carbide globe milling tool

Field of application: Opening of laterals and inlet lines

Ø mm	Height mm	Granulate	IMS-No.	Code-No.
30*	30	2,5 - 3	015 01 600	21 45 00 183
34*	35	2,5 - 3	015 01 604	21 45 00 182
45	45	2,5 - 3	015 01 605	21 45 00 181

\* only to open small inlets DN50/75 or with an extension

# THREAD

## IMS MICRO/DRIVE/MICRO S/MIDI 4 small motor/DRIVEplus small motor

Milling tools suitable for **CIPP, PVC** and **ROOTS**



**Carbide globe milling tool - long shaft -**

Field of application: Opening of laterals and inlet lines

Ø mm	Height mm	Granulate	IMS-No.	Code-No.
31	50	1,2 - 1,8	015 01 163	21 45 00 168



**Carbide cone milling tool**

Field of application: Opening of laterals and inlet lines

Ø mm	Height mm	Granulate	IMS-No.	Code-No.
23/7	35	1,2 - 1,8	015 01 150	21 45 00 165
23/7	40	1,2 - 1,8	015 01 148	21 45 00 164



**Diamond halfglobe milling tool**

Field of application: Preparatory milling of laterals, fine finishing of foil residuals (UV)liner

Ø mm	Height mm	Surface	IMS-No.	Code-No.
40	29	Dia-Gran.	015 01 129	21 49 70 046

Milling tools suitable for **CONCRETE, VITRIFIED CLAY** and **DEPOSITS**



**Diamond halfglobe milling tool**

Field of application: Preparatory milling of laterals, Removal of intruding laterals and deposits

Ø mm	Height mm	Segments	IMS-No.	Code-No.
40	29	9	015 01 127	21 49 70 090



**Diamond globe milling tool**

Field of application: Preparatory milling of laterals, Removal of intruding laterals and deposits

Ø mm	Height mm	Segments	IMS-No.	Code-No.
38	38	13	015 01 601	21 49 70 203
45	45	13	015 01 607	21 49 70 204
50*	44	19	015 01 602	21 49 70 202

\* only for IMS DRIVEplus + MIDI 4



**Diamond inflow pipe milling tool**

Field of application: Preparatory milling of laterals, Removal of intruding laterals and deposits

Ø mm	Height mm	Segments	IMS-No.	Code-No.
40	43	12	015 01 144	21 49 70 097



## ACCESSORIES



### Diamond cutting disc + Connection for IMS MICRO/...

Ø mm	Height mm	Borehole / Connection	IMS-No.	Code-No.
50	2	6	015 01 167	21 28 27 112
28	32	IMS MICRO	015 01 166	21 50 00 074



### Extensions

Ø mm	Height mm	Thread	IMS-No.	Code-No.
20	28	IMS MICRO	015 01 133	21 50 01 038



### Corundum grindstone + Connection for IMS MICRO/...

Field of application: Grinding of metal and cast iron pipes, removal of intruding obstacles

Ø mm	Height mm	Borehole / Connection	IMS-No.	Code-No.
40	30	12	015 01 160	21 50 00 113
28	34	IMS MICRO	015 01 161	21 50 00 068



### Cup Brushes + Connection for IMS MICRO/...

Field of application: Post-processing of inliner openings, removal of residual film, Cleaning, roughening work, ...

Ø mm	Height mm	Borehole / Connection	IMS-No.	Code-No.
40	29	8	015 01 062	21 50 00 224
28	40	IMS MICRO	015 01 070	21 50 00 066



### Disk Brushes + Connection for IMS MICRO/...

Field of application: Post-processing of inliner openings, removal of residual film, Cleaning, roughening work, ...

Ø mm	Height mm	Borehole / Connection	IMS-No.	Code-No.
50	8	12	015 01 058	21 50 00 172
63	8	12	015 01 059	21 50 00 173
28	28	IMS MICRO (1 Brush)	015 01 067	21 50 00 170
28	33	IMS MICRO (2 Brushes)	015 01 068	21 50 00 171



### Cylinder Brushes + Connection for IMS MICRO/...

Field of application: Post-processing of inliner openings, removal of residual film, Cleaning, roughening work, ...

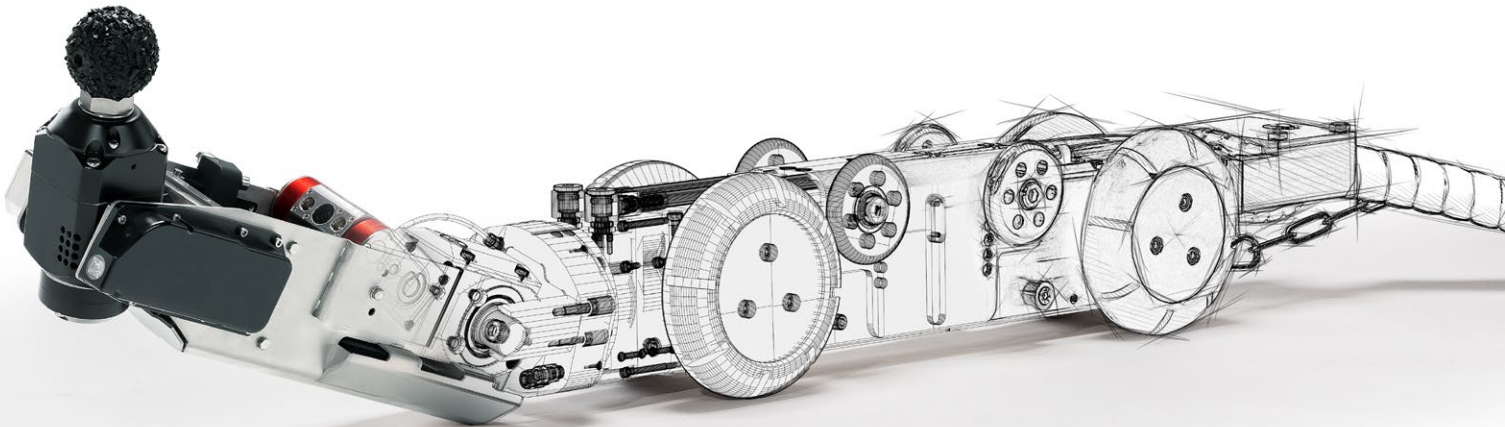
Ø mm	Height mm	Borehole / Connection	IMS-No.	Code-No.
40	25	10	015 01 060	21 50 00 230
28	53	IMS MICRO	015 01 069	21 50 00 169

# IMS

ROBOTICS

info@ims-robotics.de

ims-robotics.de



in cooperation with



Best **TOOLS** for **CUTTERS**

KARDIAM Diamantwerkzeuge GmbH  
Claude-Dornier-Straße 17  
D-88239 Wangen  
GERMANY

Phone: +49 (0)7520-9515-0  
Fax: +49 (0)7520-9515-29  
info@kardiam.de  
www.kardiam.de